

**Receiver**

**From**

Society  
Reference  
Address  
Phone  
Fax  
E-mail

**Item n° :**  
60191280  
**Model :**  
GRINDER FX 15.22 T-NA Ex  
**Type of installation :**  
Wet - Pump only

**Pump data**

Free passage : --  
Max. immersion depth : 20 m  
Min. fluid temperature : 0 °C  
Max. fluid temperature : 50 °C

**Requested data**

Flow :  
Head :  
Fluid : Water  
Fluid Temperature : 20 °C  
Density : 998,3 kg/m³  
Kinematic viscosity : 1,005 mm²/s  
Vapor pressure : 2,34 kPa

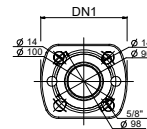
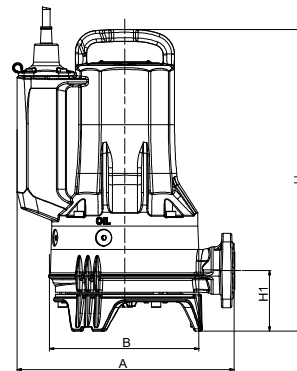
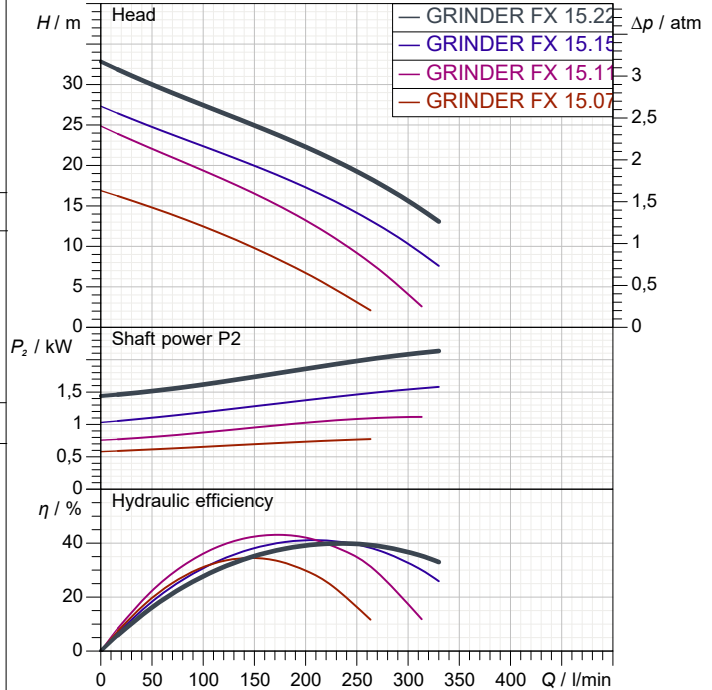
**Hydraulic data (duty point)**

Flow :  
Head :

**Materials**

Handle : Cast iron (EN GJL 200)  
Pump body / motor : Cast iron (EN GJL 200)  
Impeller : Cast iron (EN GJL 250)  
Mechanical seal pump side : SiC-SiC/SiC-C  
Mechanical seal motor side : SiC/Carbon  
OR ring : NBR  
Cutter / Cutter Base : Steel EN1.4542 / AISI 630

**Curve tolerance according to ISO 9906**



**Motor data**

Motor brand : DAB  
Nominal power P<sub>2</sub> : 2,1 kW  
Rated speed : 2.870 1/min  
Rated voltage : 3~ 400 V  
Nominal current : 4,7 A  
Degree of protection : IP 68

**Weight :** 39 kg      **Accessory weight :**

**Dimensions in mm**

A	306				
B	215				
DN1	32, 40				
GAS	Rp 1"1/2				
H	448				
H1	87				

**Pump connection**

Suction side : --  
Discharge side : Rp 1"1/2 - DN 32 PN10/6, DN 40 PN6



# PERFORMANCE CURVES

2020-12-09

Page 2 / 3

DAB PUMPS S.p.A.  
Via Marco Polo, 14 - 35035 Mestrino (PD), Italy  
Tel. +39 049 5125000 - Fax +39 049 5125950  
www.dabpumps.com

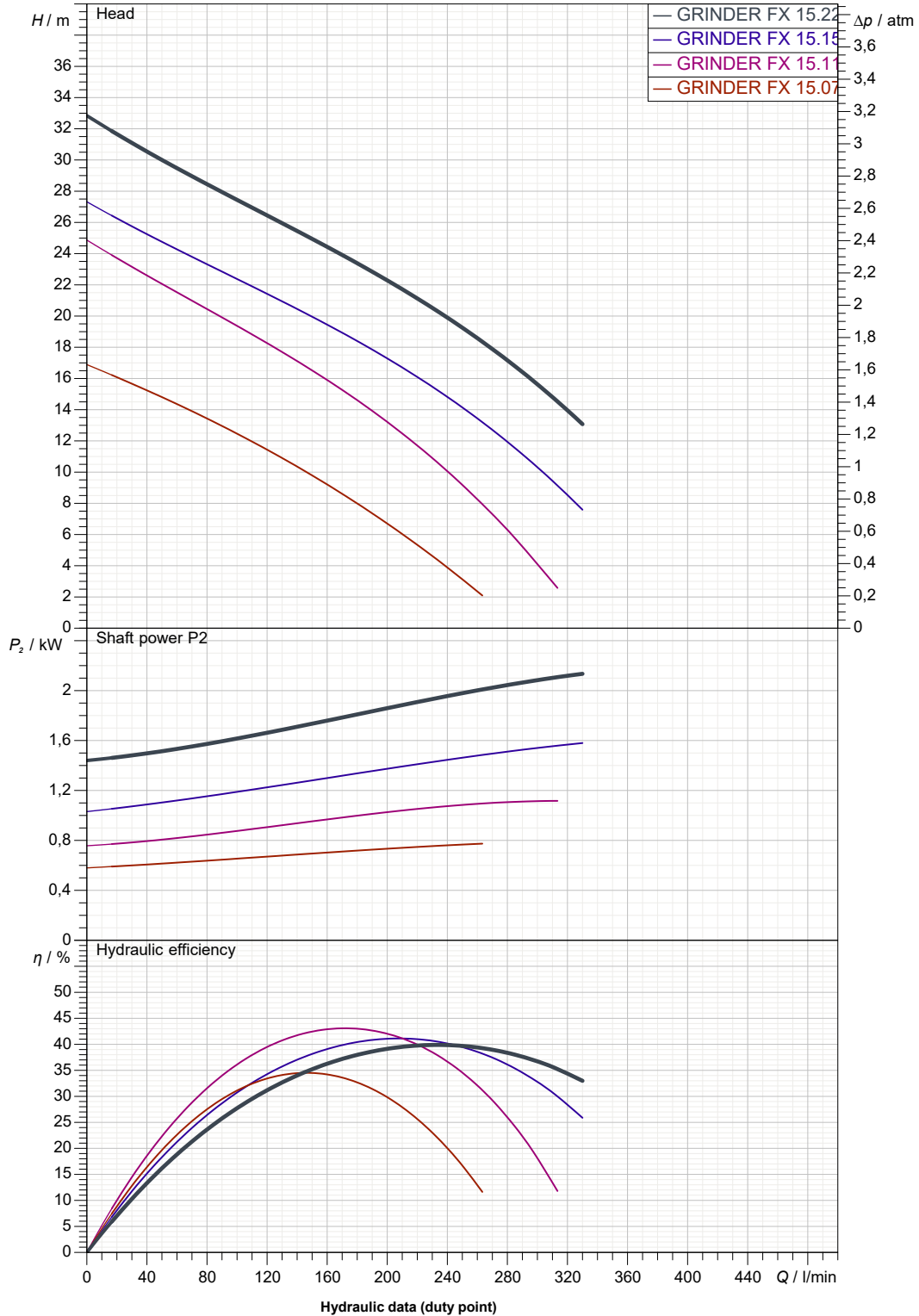
Receiver

From

Society  
Reference  
Address  
Phone  
Fax  
E-mail

## GRINDER FX 15.22 T-NA Ex

Curve tolerance according to ISO 9906



Suction side :

Discharge side :  
Rp 1"1/2 - DN 32 PN10/6, DN 40 PN6  
--

Flow :

Head :

Rated speed :  
2.870 1/min

MAIN\_PROJECT\_TITLE

BUSINESS\_PROCESS\_ID

OWNER\_

ISSUE\_DATE  
2020-12-09



# DIMENSIONAL DRAWING

2020-12-09

Page 3 / 3

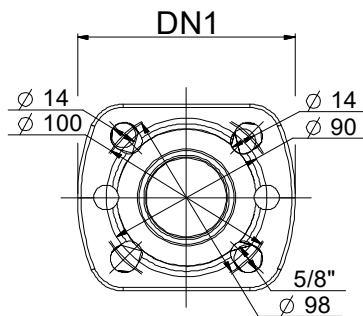
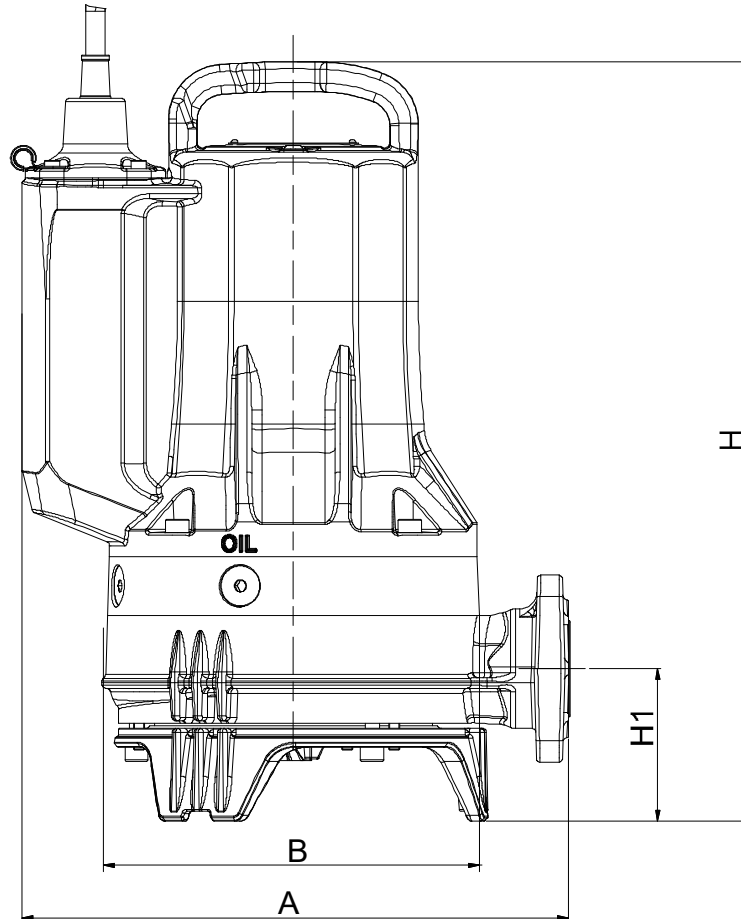
DAB PUMPS S.p.A.  
Via Marco Polo, 14 - 35035 Mestrino (PD), Italy  
Tel. +39 049 5125000 - Fax +39 049 5125950  
www.dabpumps.com

Receiver

From

Society  
Reference  
Address  
Phone  
Fax  
E-mail

## GRINDER FX 15.22 T-NA Ex



**Dimensions in mm**

**Pump connection**

1	A	306					
2	B	215					Suction
3	DN1	32, 40					
4	GAS	Rp 1"1/2					Discharge
5	H	448					Rp 1"1/2 - DN 32 PN10/6, DN 40 PN6
6	H1	87					--
7							
8							
9							
10							
11							
12							

MAIN\_PROJECT\_TITLE

BUSINESS\_PROCESS\_ID

OWNER

ISSUE\_DATE

2020-12-09